



ACTIVITY SHEET

EPISODE 6: LASERS

Practise and consolidate your learning about describing and labelling things by completing our activities.

Activity 1 is based on an actual IELTS listening exercise – you can listen to the associated audio files on your computer at the Study English website at. We have also included a transcript of the audio as part of this activity sheet. If you can't listen via computer, read through the listening exercise transcript below.

ACTIVITY 1

Here is a Section 3 excerpt from an IELTS practice listening test. Use the strategies from the study notes to prepare for this listening.

IELTS PRACTICE LISTENING TEST

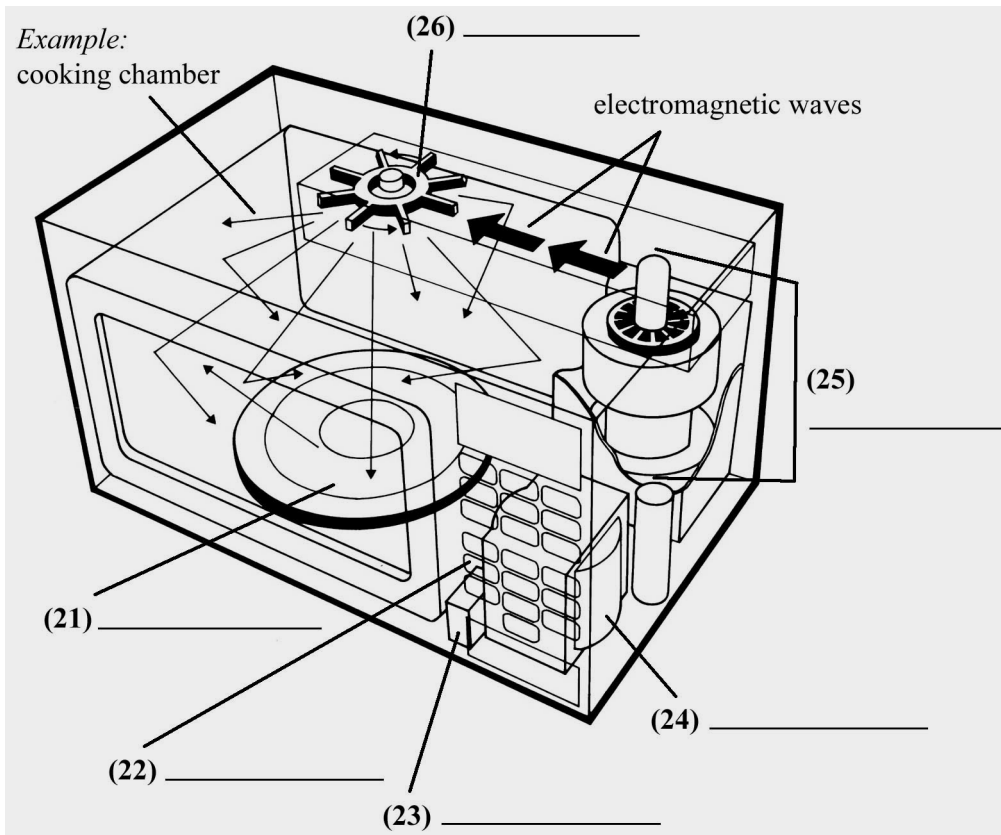
(a transcript follows this activity otherwise go to the Study English website and listen to the audio on the activities page for this episode)

SECTION 3 Questions 21-30

Questions 21-26

Label the parts of the microwave. Choose words from the box below. There are more words in the box than you will need.

generator	cooking chamber	control section	turntable
magnetron	wavelength	waveguide	door
interlock system	locking device	solid walls	fan
high-voltage transformer	electromagnetic waves		



Questions 27-30

Write **NO MORE THAN THREE WORDS OR NUMBERS** to complete these sentences.

27. Who invented the microwave oven? _____

28. What year was it invented? _____

29. What is the safety warning? _____

30. What are the walls of the oven made of? _____



ACTIVITY 2

Choose a colour from the box below which best answers the question.

mauve	white	red	golden	burgundy
green	ginger	crimson	jade	blue

1. Which is a semi-precious or precious stone mostly found in Asia?

2. Which describes a pastel shade?

3. Which describes someone who is envious?

4. Which colour is used to describe someone who has seen a ghost?

5. Which refers to an alcoholic beverage?

6. Which describes the status of being in debt?

7. Which is sometimes used to describe a particular colour of hair?

8. Which describes someone who is depressed?

9. Which describes leaves in autumn?

10. Which is sometimes used to describe the colour of a cat?



ANSWERS

ACTIVITY 1

21. turntable
22. control section
23. interlock system
24. high-voltage transformer
25. magnetron
26. fan
27. (Dr) Spencer
28. 1945
- 29 noisy beeps
30. metal

ACTIVITY 2

Choose a colour which best answers the question.

1. Which is a semi-precious or precious stone mostly found in Asia? **jade**
2. Which describes a pastel shade? **mauve**
3. Which describes someone who is envious? **green**
4. Which colour is used to describe someone who has seen a ghost? **white**
5. Which refers to an alcoholic beverage? **burgundy**
6. Which describes the status of being in debt? **red**
7. Which is sometimes used to describe a particular colour of hair? **golden**
8. Which describes someone who is depressed? **blue**
9. Which describes leaves in autumn? **crimson**
10. Which is sometimes used to describe the colour of a cat? **ginger**